

Moover Fall '17 Release Notes

Table of Contents

Overview	1
New Features	2
Centrally-Controlled Deployment	2
Multiple Destination Deployment	3
Lightning Component for Data Set Import and Deployment	3
Data Set Templates	3
Set Audit Fields	4
Field Value Scrambling	4
Empty Field Values	4
Fixed Field Values	4
Other Improvements	4
Fixes	6
Known Issues	9

Overview

The Prodly Moover Fall '17 release is jam packed with new features and enhancements to core functionality, as well as many bug fixes.

New Features

The Moover product team has heard your ideas and implemented a great number of them in this release. The following new features provide a richer, more intuitive relational data migration experience, helping you be more productive.

Centrally-Controlled Deployment

Your days of having to install Moover in every source organization, reinstalling after a sandbox refresh, and going through an install for each new project instance are over! Install Moover once in a central Salesforce organization and control all deployments from there. Establish connections to all of your organizations and deploy between them, with any organization being a source or destination based on your need at that time.

This one feature alone makes system integrators' jobs much easier!

The following figure depicts the previous source-controlled implementation of the Moover deployment architecture, that is, a single organization that contains the Moover app, the database schema, the data set, and the source data, and controls deployment to a destination organization:

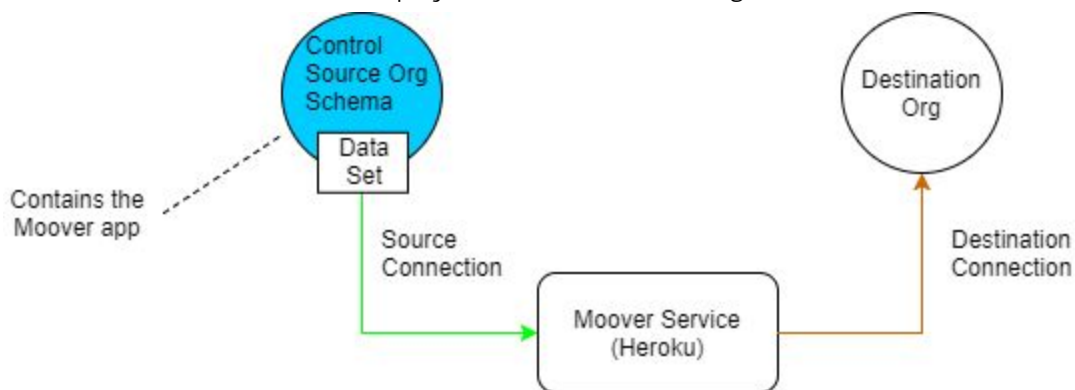


Figure 1: Moover's original source-controlled deployment architecture

Starting with the Fall '17 release, a wide variety of implementations are now possible. The following figure conceptually depicts the install, control, schema, data set, data source, and data destination organizations as separately as possible:

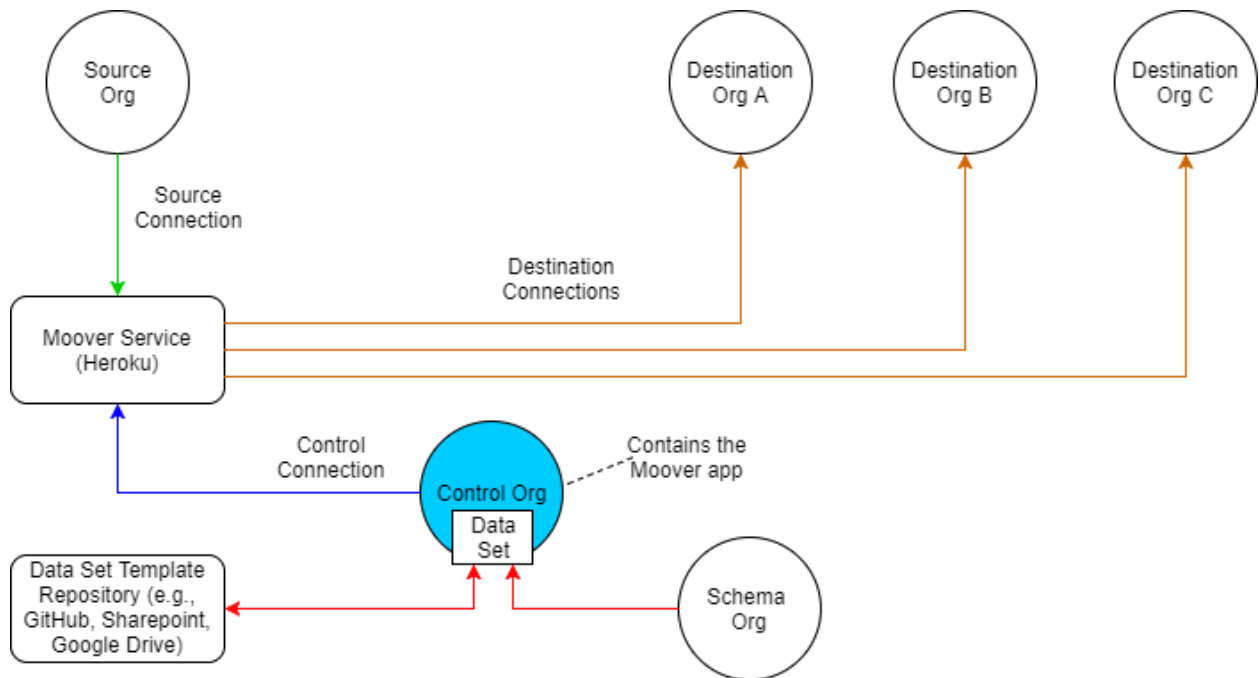


Figure 2: Moover's new centrally-controlled deployment architecture

Use the **Connections** tab in the Moover app to establish connections between the Moover service and your organizations. Then later, during data set creation and at deployment, define the purpose(s) each connection serves for your particular use case.

Multiple Destination Deployment

Need to deploy the same data to a couple of sandboxes with one click? No problem! Now Moover allows you to select multiple destination organizations for data set deployment. No need to initiate deployment from each source organization. Save time. Track deployments in a consolidated results view.

Lightning Component for Data Set Import and Deployment

A new native Lightning component allows you to start a deployment or import a data set template from any page in Salesforce Lightning Experience. Now the power of a deployment is always just a click away!

Data Set Templates

This new must-have feature allows you to export a Moover data set as a template file in JSON format from one Moover instance, and then import the file into another Moover instance. This functionality allows your organization to store and version all of the work you have put into creating data sets for your deployments. Independent software vendors and system integrators. You can now provide your customers and clients with templates for CPQ and other complex data sets to perform their own deployments, post implementation.

Set Audit Fields

Moover now supports setting record system fields as part of the relational data migration process. This feature utilizes the Salesforce [Create Audit Fields](#) option to set the allowed system fields in the destination organization to the values from the source organization. This capability is critical for those instances when controlling system fields drives important business logic.

Field Value Scrambling

Scramble deployed field values in the destination organization to obfuscate sensitive information or prevent unintended emails going to customers.

Empty Field Values

Set deployed fields to an empty value in the destination organization, clearing out fields to align with business requirements. Avoid additional update operations and custom workflows.

Fixed Field Values

Set deployed fields to a fixed value in the destination organization, clearing out fields to align with business requirements.

Other Improvements

We've improved a number of features you know and depend on. Take more control and do more with the data sets editor, deployment options, and result analysis. The following sections describe the improvements.

Stop and Pause Deployments

A critical functionality is now available! Stop long running or errant deployments to rectify the issue. Pause a deployment to modify or analyze deployment results. One of the most often requested features changes the way you manage your relational data migrations.

Deployment Progress Tracking

We've enhanced the main Moover deployment results tracking page with a graphical progress bar and a custom page with more controls. Collapse or expand detailed deployment results using a modern Lightning component interface.

Result Batch Operation

Now the deployment batch result stores the batch operation performed for all the records in the batch – insert, update, or upsert. This improvement greatly helps with result analysis because you can now easily tell what operation the data set configuration performed during deployment, clarifying behavior and results.

Result Batch Operation

This improvement allows Moover to handle non-updateable parent lookup fields, such as non-re-parentable master-detail lookup fields, in conjunction with a standard Salesforce upsert call. No more need to use a custom upsert or manually correct data records.

Bulk Delete Deployment Results

With potentially thousands of deployment record result records, deleting all of them as part of cleanup could take a very long time or even time out. Moover now includes a custom delete feature that uses batches to delete deployment record results, associated bulk results, and overall results.

API Feature Support

We've enhanced all global Apex service and REST APIs to support the new centrally-controlled deployment feature. We've also added a new global Apex service API for template importing.

Deployment Maintenance Restart

Moover now transparently and dynamically handles a deployment interrupted by a Heroku dyno maintenance restart to continue execution.

Query Filter LIMIT Clause

Moover now correctly handles data set query filter LIMIT clauses at run time, for both child and parent relationship processing.

Connection Record Locked

Moover now prevents updates to fields on the connection record to prevent displaying incorrect values to the user.

Connection Record Field Limits

A limit has been added to the number of allowable characters for the connection name field to avoid runtime errors and aborted deployments.

Large Query Data Results

Moover now automatically handles data sets with a large number of large fields selected for deployment, such as text area or rich text fields. This enhancement avoids the dreaded "ClientInputError : Failed to read query. Exceeded max size limit of 20000 with response size 20001" error.

Fixes

The following table lists notable bug fixes and the publicly-released version in which each fix first appears. The table is sorted by most-recent to oldest Moover development (MD) tracking number within most-recent to oldest version. To determine your Moover version, log in to your Salesforce Moover control organization and navigate to **Setup > Apps > Installed Packages**.

Description	Number	Version
Display warning message when deployment object is not in newly-selected schema org	MD-1048	1.118
Getting invalid query filter error when filter is valid	MD-1047	1.118
Don't clone data set when required fields are not yet filled in	MD-1010	1.118
Non-root CPQ data sets don't load	MD-1006	1.118
Populate new Root Data Set field on Upload	MD-1005	1.118
Uploading template file erases data set deployment objects when object not in control org schema	MD-1004	1.118
Error loading template .json files that don't contain the useLocalSchema field	MD-1002	1.118
"Attempt to dereference a null object" error when searching data set in the deployment center	MD-983	1.118
Always show the root data set name in the Data Set Editor title bar	MD-976	1.118
Change Data Set Name default value on non-root data sets	MD-975	1.118
Renaming non-root data set doesn't persist on, save	MD-966	1.118
Schema org should only appear on root data sets in list views	MD-959	1.118
"Error saving data set: Before Insert or Upsert list must not have two identically equal elements."	MD-947	1.118
Add new Use Local Schema field	MD-922	1.118
Change Save button label to OK on the schema settings dialog box	MD-895	1.118
Create Template gives "Error creating data set template: invalid ID field: null"	MD-872	1.118

"PDRI:Too many query rows: 50001" error	MD-645	1.118
"COUNT() and ORDER BY may not be used together" error when query filter contains Order By clause	MD-630	1.118
Replicate owner not working for some ID matches	MD-954	1.115
Allow data set and data set template creation when no connections exist	MD-942	1.115
Use AccessValidation class to check the permissions before doing deployment	MD-924	1.115
Limit display to 400 rows on Child Records tab	MD-923	1.115
Use control org as default schema org on New and Upload	MD-922	1.115
Deployment hangs Salesforce.com	MD-917	1.115
Error: "PDRI:Too many SOQL queries: 101" selecting Clone or Create Template .	MD-908	1.115
Error: "PDRI: Too many SOQL queries: 101"	MD-214	1.115
System.CalloutException: Unable to tunnel through proxy. Proxy returns "HTTP/1.0 404 Not Found"	MD-891	1.109
Dataset without connection: Warning Message Verification	MD-887	1.109
Unauthorized endpoint error in the v1.95 upgrade on Heroku Production instance at data set editor and deployment center	MD-886	1.109
Rich text area not parsing	MD-884	1.109
Change the error message when connection not found	MD-837	1.109
Too many callouts: 101	MD-574	1.109
Fields pagination problem	MD-430	1.109
"Error: Maximum view state size limit (135KB) exceeded." occurred but actual view state size for page was only 136.798KB in deployment center	MD-609	1.106
In Lightning Experience, unable to delete data set using data set Delete button from data set details page	MD-580	1.106
Create missing field does not work with history tracking field	MD-576	1.106
Searching child object by label, name, and relationship does not work for objects	MD-550	1.106

with multiple relationships		
Parent record should be selected if child is same object	MD-319	1.106
Field not displayed for deploy or field not selectable for deploy	MD-314	1.106
Parent records showing double in child data set	MD-309	1.106
Attempt to dereference a null object while data set creating	MD-296	1.106
Success message and error messages showing at the same time	MD-279	1.106
Progress not showing after stopping deployment	MD-277	1.106
Deployment data set results status not updated on data sets when a deployment is paused	MD-276	1.106
Pause and Stop buttons don't hide and result not updated after deployment success	MD-275	1.106
Result showing success but data set showing error	MD-272	1.106
Source and destination should not display the same error message	MD-267 MD-268 MD-269	1.106
Error bar hides after 5-10 seconds when trying to save data set	MD-265	1.106
If upsert option is selected and mouse moves too quickly, user cannot select external ID	MD-262	1.106
New connection wizard in Lightning Experience opens new page, leaving original page hanging	MD-252	1.106
Null ID used in where clause in query	MD-243	1.106
Handle large numbers of owners with the replicate owner option enabled	MD-222	1.106
Data set name should be displayed after saving data set	MD-203	1.106
The Copy All Fields checkbox on the RECORD FIELDS tab isn't marked after saving data set	MD-165	1.106
In Lightning Experience, can't create new data set after deleting a data set	MD-156	1.106
Value in the records to deploy field isn't displayed after executing search by name, object or namespace	MD-132	1.106
The parent records checkbox is not marked correctly after clicking Save	MD-123	1.106

Known Issues

The following table identifies known issues with Prodlly Moover.

Description	Number
Data Set > Save fails after adding custom formula field	MD-1017
Moover App not part of permissions sets	MD-1014
Can't add Deployment Object to data set list views	MD-1015
Icons do not show up in Internet Explorer	MD-876
Fixed value option should not show in reference fields on RECORD FIELDS tab	MD-568
The Only Search Managed feature does not work for objects with multiple relationships	MD-552
In Lightning Experience, after deleting deployment data set results, page isn't refreshed	MD-97